

# **Agilent B2961A/B2962A Low Noise Power Source**

## **Programmable Output Resistance Using Constant Mode**

# Notices

© Agilent Technologies, Inc. 2012

No part of this manual may be reproduced in any form or by any means (including electronic storage and retrieval or translation into a foreign language) without prior agreement and written consent from Agilent Technologies, Inc. as governed by United States and international copyright laws.

## Manual Part Number

B2960-90041

## Edition

Edition 1, October 2012

Agilent Technologies  
5301 Stevens Creek Blvd  
Santa Clara, CA 95051 USA

## Warranty

**The material contained in this document is provided “as is,” and is subject to being changed, without notice, in future editions. Further, to the maximum extent permitted by applicable law, Agilent disclaims all warranties, either express or implied, with regard to this manual and any information contained herein, including but not limited to the implied warranties of merchantability and fitness for a particular purpose. Agilent shall not be liable for errors or for incidental or consequential damages in connection with the furnishing, use, or performance of this document or of any information contained herein. Should Agilent and the user have a separate written agreement with warranty terms covering the material in this document that conflict with these terms, the warranty terms in the separate agreement shall control.**

## Technology Licenses

The hardware and/or software described in this document are furnished under a license and may be used or copied only in accordance with the terms of such license.

## Restricted Rights Legend

If software is for use in the performance of a U.S. Government prime contract or subcontract, Software is delivered and licensed as “Commercial computer software” as defined in DFAR 252.227-7014

(June 1995), or as a “commercial item” as defined in FAR 2.101(a) or as “Restricted computer software” as defined in FAR 52.227-19 (June 1987) or any equivalent agency regulation or contract clause. Use, duplication or disclosure of Software is subject to Agilent Technologies’ standard commercial license terms, and non-DOD Departments and Agencies of the U.S. Government will receive no greater than Restricted Rights as defined in FAR 52.227-19(c)(1-2) (June 1987). U.S. Government users will receive no greater than Limited Rights as defined in FAR 52.227-14 (June 1987) or DFAR 252.227-7015 (b)(2) (November 1995), as applicable in any technical data.

## Contents

1.	Introduction.....	4
2.	Constant Mode.....	5
	Available Rs/Rsh values .....	6
	To find the available Rs/Rsh values.....	8
	Negative Rs .....	10
	To expand the available Rs/Rsh values.....	10
	Considering the Rs/Rsh setting errors .....	11
3.	Application .....	12
	To compensate voltage drop caused by residual resistance.....	12
	To emulate a battery with internal resistance .....	15

# 1. Introduction

Ideal voltage source has zero- $\Omega$  output impedance and ideal current source has infinite output impedance. Generally, such ideal source is suitable for a device/module characterization. However in the real application environments, you cannot anticipate such ideal condition. You may be surprised by seeing your device/module behave strangely. And in a bad situation, you may stop working due to the voltage drop across the intolerable residual resistance, wire, output resistance of power supply, and so on.

The voltage drop can be given by a function of the current which varies according to the load resistance. So you can observe the affect of the voltage drop by emulating the voltage which will be actually applied to the load. Then, you have to calculate and adjust the voltage ( $V_{Load}$ ) to satisfy  $V_{Load} = V_0 - I_{Load} \times R_{Residual}$  ( $V_0$ : output voltage at open,  $I_{Load}$ : load current,  $R_{Residual}$ : residual resistance).

Instead of above tasks, you may connect a real resistor to the instrument terminal externally. Then you have to prepare variety of resistors and replace the resistor manually to observe its dependency and change the resistance.

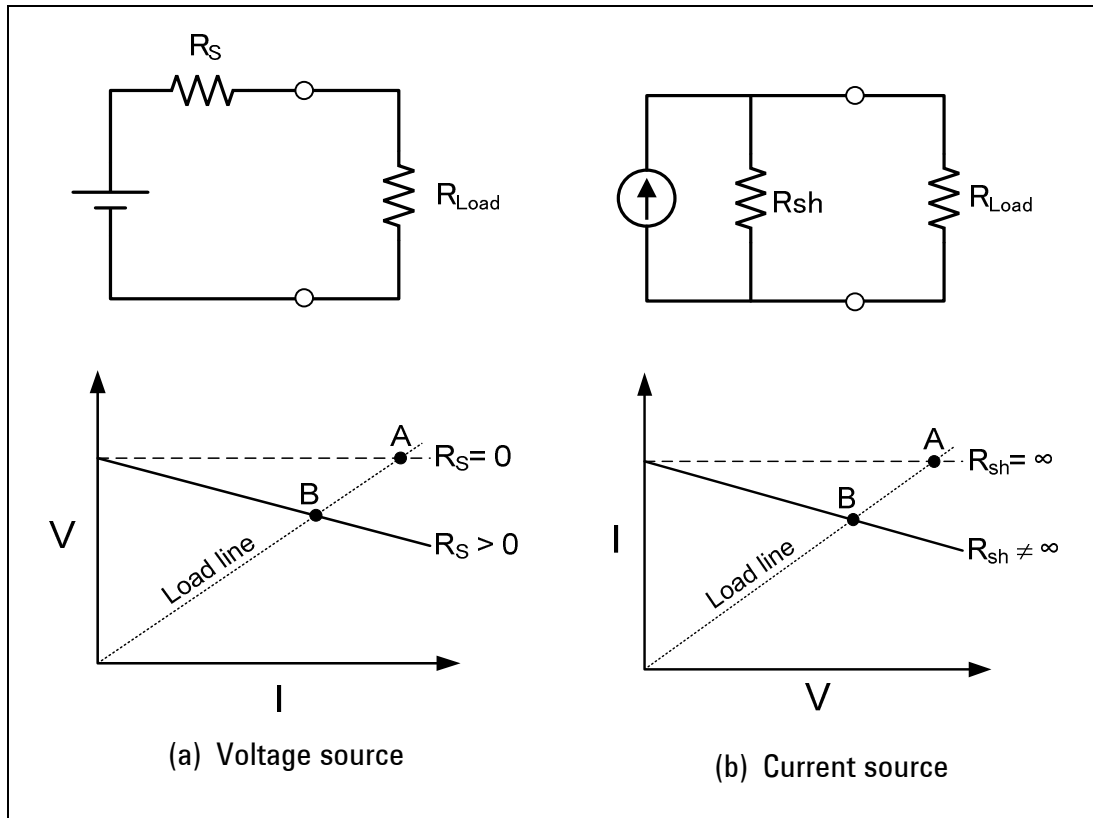
To avoid these troublesome tasks, you can use the Agilent B2961A/B2962A which provides the programmable output resistance function. The B2961A/B2962A supports two operation modes, constant and VI emulation, for this function. The constant mode lets the B2961A/B2962A channel work as a voltage source with built-in constant series resistor ( $R_s$ ) or a current source with a built-in constant shunt resistor ( $R_{sh}$ ). This mode can offer the negative series resistance that is used to compensate voltage drop same as when using the 4-wire connection even if the 4-wire connection cannot be made by some reasons. Also the VI emulation mode lets the channel work as a source with a built-in resistor which has a non-linear I-V characteristics. By using this function, DC I-V characteristics of device/module such as a battery can be emulated easily and effectively.

This document introduces the constant mode of the programmable output resistance function and the application examples by using the B2961A/B2962A. For the VI emulation mode, see another document “Using VI Emulation Mode”, publication number B2960-90042.



## 2. Constant Mode

Simplified block diagram of the B2961A/B2962A channel in the constant mode is shown in Figure 1. The channel works as a voltage source with built-in constant series resistor as shown in (a) or a current source with a built-in constant shunt resistor as shown in (b). They are electrically equivalent as Thevenin's theorem we learned in a basic electrical engineering class.



**Figure 1 Simplified block diagram and the output characteristics**

Agilent B2961A/B2962A setting parameter:

- $R_s$  (series resistance) for the voltage source
- $R_{sh}$  (shunt resistance) for the current source.

This parameter is set to the B2961A/B2962A front panel Output R.

For the case (a), the channel emulates the situation like that the voltage source is connected to device/module ( $R_{Load}$ ) via wire and the series resistor ( $R_s$ ). This is not surprising situation in the real world. The graph shows the I-V characteristics at  $R_{Load}$ . X-axis is the load current and Y-axis is the voltage at  $R_{Load}$ . Dotted line is the load line. If the series resistance  $R_s$  is 0, the load voltage is constant regardless of the load resistance, and the operating point reaches the point A. However, if the series resistance is more than 0 ( $R_s > 0$ ), the load voltage will be

less than the setting value due to the voltage drop caused by  $R_s$ , and the operating point reaches the point B. This voltage drop will affect the operation of a device/module.

For the case (b), the channel emulates the situation that the current source is connected to  $R_{Load}$  with leakage current that is proportional to the output voltage. The graph shows the I-V characteristics at  $R_{Load}$ . X-axis is the load voltage and Y-axis is the current. The load current will be less than the setting value due to the leakage current through  $R_{sh}$ . Finally the operating point reaches the point B instead of the point A.

Instead of installing the built-in constant  $R_s/R_{sh}$  actually, the B2961A/B2962A adjusts its channel output by monitoring the load current/voltage, and applies voltage/current as if the built-in resistor is installed. This operation is effective for the 4-wire (Kelvin) connection too, which eliminates the unwanted effect due to the residual resistance of connection cable and wire.

By using this function, you can specify your desired  $R_s/R_{sh}$  value and simulate the behavior of the device/module as if it is under the actual operating conditions. This function frees you from troublesome tasks such as calculating the output voltage, adjusting the channel output, and replacing the real resistor connected to the instrument terminal externally.

### **Available $R_s/R_{sh}$ values**

For the voltage source operation of the B2961A/B2962A, a negative feedback loop is used to obtain accurate and stable output voltage. The resistance loop is added to the system as shown in Figure 2. For stable operation, obviously, the voltage feedback loop must be dominant in this system. In other words, the voltage feedback loop must be stronger than the resistance loop that is proportional to  $R_s$ . Thus the maximum  $R_s$  is determined by this requirement. Similarly the minimum  $R_{sh}$  requirement is determined in current source operation.

The strength of the resistance loop depends on the  $R_s$  value, the circuit characteristics, and the load attached to the system. To make it simple, we determine the maximum  $R_s$  and the minimum  $R_{sh}$  as a function of the load resistance, the load capacitance, and the current range as shown in Figure 3.

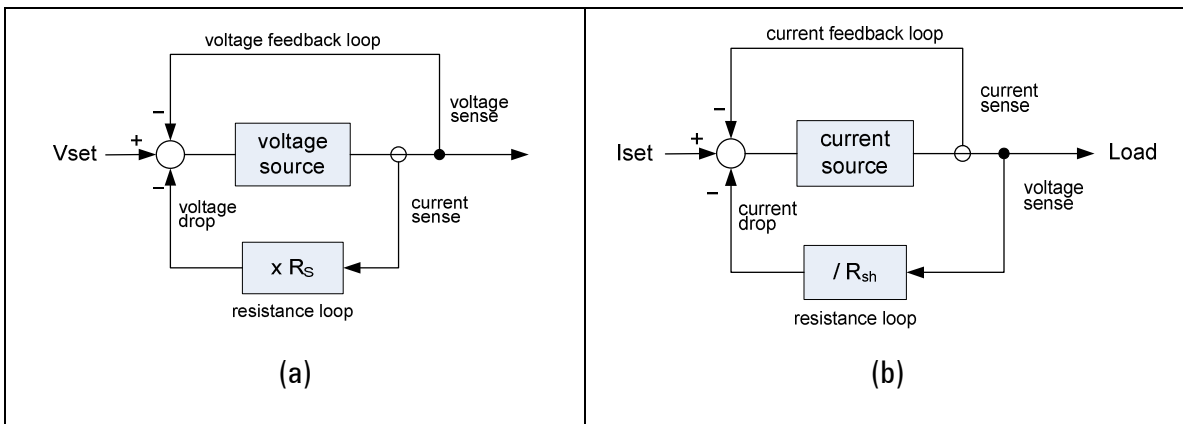


Figure 2 Control loop

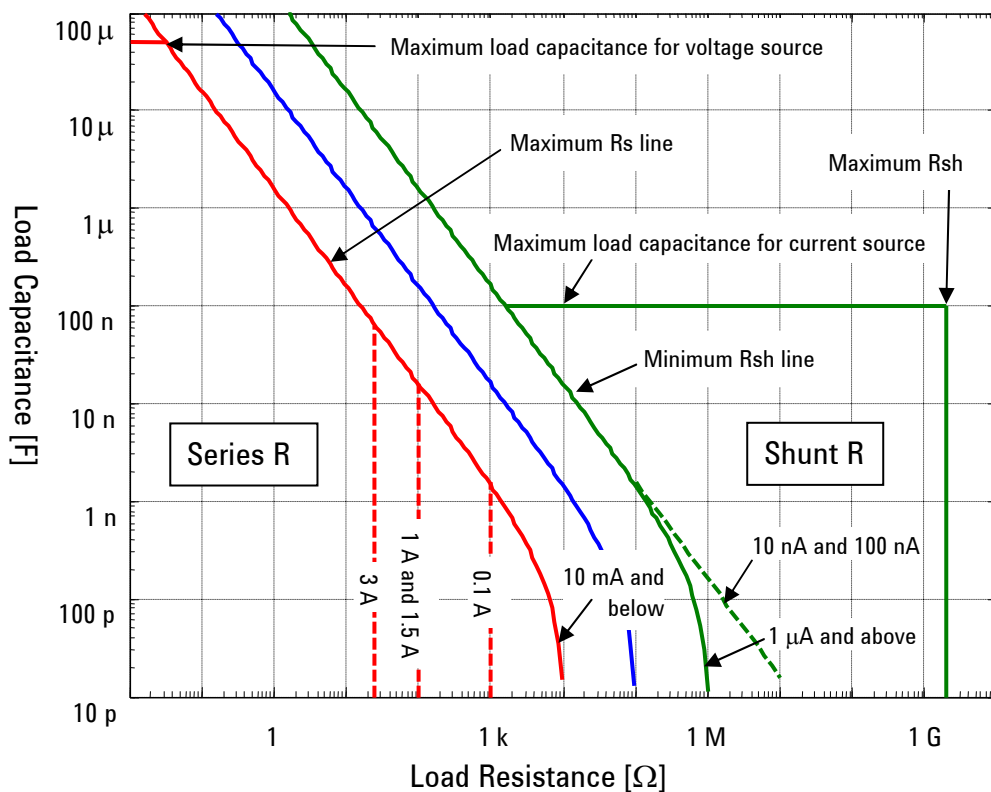


Figure 3 Available Rs/Rsh values

The minimum  $R_s$  is zero (negative number is discussed later) and the maximum  $R_s$  is the left-most line. And the minimum  $R_{sh}$  is the right-most line and the maximum  $R_{sh}$  is 2 GΩ. To use constant mode stably,  $R_s$  must be in the left region where the textbox **Series R** is located and  $R_{sh}$  must be in the right region where the textbox **Shunt R** is located.

50 μF line at the top of the Series R region is the maximum load capacitance for the voltage source mode. 100 nF line at the top of the Shunt R region is the maximum load capacitance for the current source mode. Dotted lines are dedicated limits for those specific current ranges. For example, the limit for the 1 A range is smaller than the limit for the 0.1 A range.

## To find the available Rs/Rsh values

Examples to find  $R_s$  are described below.

If the load resistance, load capacitance, and current range are  $10\ \Omega$ ,  $10\ \text{nF}$ , and  $100\ \text{mA}$  respectively, see the point A shown in Figure 4. This point is below the maximum  $R_s$  line. In this case, the maximum  $R_s$  will be the load resistance. So the available  $R_s$  values are 0 to  $10\ \Omega$ .

If the load resistance, load capacitance, and current range are  $20\ \text{M}\Omega$ ,  $200\ \text{pF}$ , and  $1\ \mu\text{A}$  respectively, see the point B. This point is over the maximum  $R_s$  line. In this case, the values over the line are not allowed. So the maximum  $R_s$  value is approximately  $4\ \text{k}\Omega$  which is a point on the line. You may notice that this condition is not suitable for the voltage source because the load resistance is much higher than the  $R_s$  value. The  $R_s$  value should be close to the load resistance to obtain the effect of the series resistor enough.

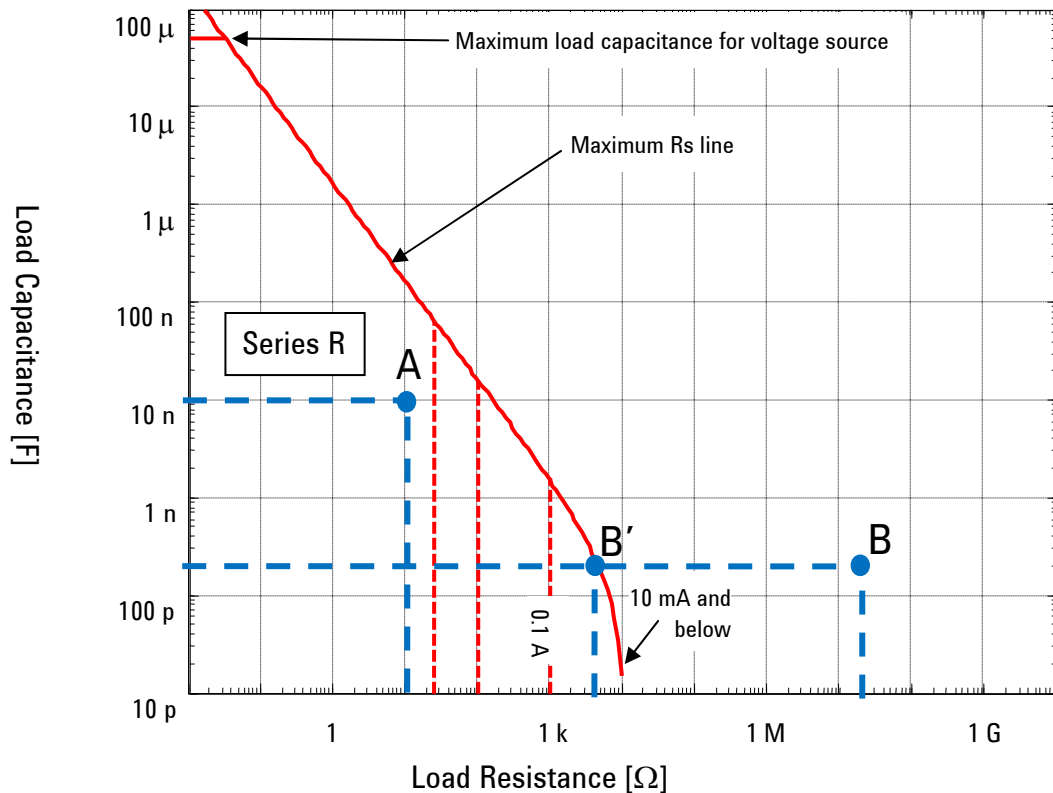


Figure 4 Examples to find  $R_s$



Examples to find Rsh are described below.

If the load resistance, load capacitance, and current range are 100 MΩ, 10 nF, and 1 μA respectively, see the point C shown in Figure 5. This point is over the minimum Rsh line. In this case, the minimum Rsh will be the load resistance. So the available Rsh values are 100 MΩ to 2 GΩ.

If the load resistance, load capacitance, and current range are 10 Ω, 1 nF, and 100 mA respectively, see the point D. This point is below the minimum Rsh line. In this case, the values below the line are not allowed. So the minimum Rsh value is approximately 200 kΩ which is a point on the line. You may notice that this condition is not suitable for the current source because the load resistance is much lower than the Rsh value. The Rsh value should be close to the load resistance to obtain the effect of the shunt resistor enough.

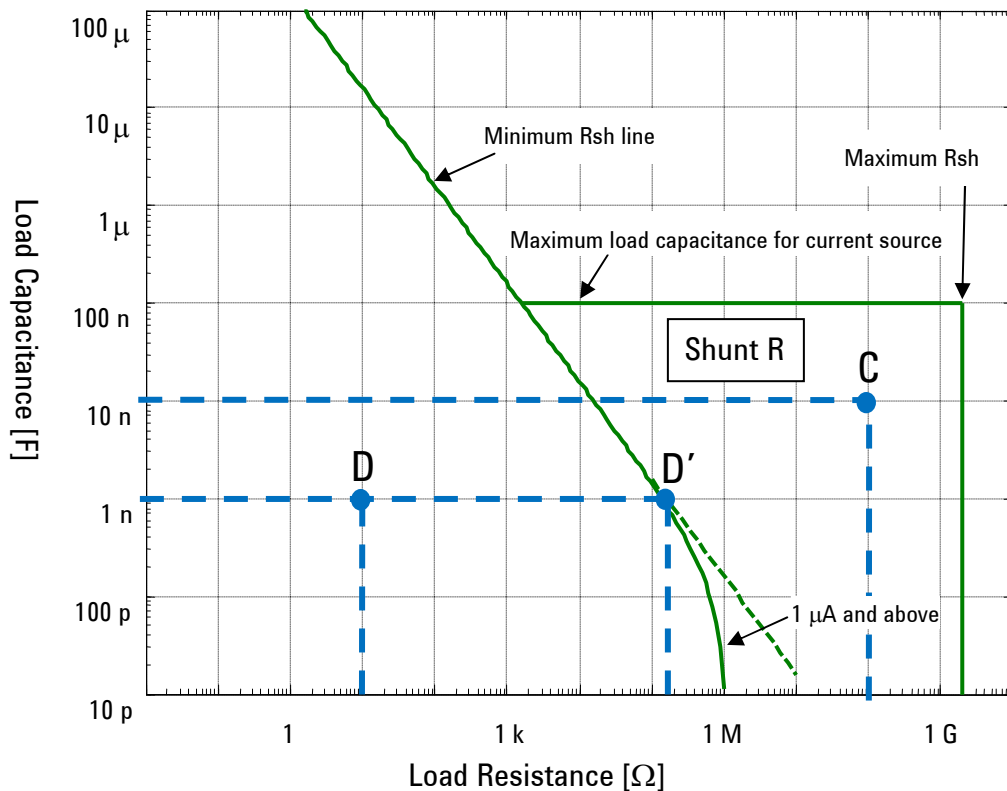


Figure 5 Examples to find Rsh

## Negative Rs

The series resistance  $R_s$  can be negative. The available negative values are 0 to  $-R_{s\text{-max}}/2$ . In this case,  $R_{s\text{-max}}$  means the maximum  $R_s$  value. For example, if the maximum  $R_s$  is 100  $\Omega$ ,  $R_s$  can be  $-50 \Omega$  to  $+100 \Omega$ .

Be careful about the negative  $R_s$  may increase the output voltage. If  $R_{\text{Load}}$  is 100  $\Omega$  and  $R_s$  is set to  $-50 \Omega$  without having the actual residual resistance, the output voltage increases up to twice the setting voltage as shown below.

$$\frac{V_{\text{out}}}{V_{\text{set}}} = \frac{R_L}{R_L + R_s} = \frac{100}{100 - 50} = 2$$

For the shunt resistance  $R_{sh}$ , negative value is not allowed.

In summary, the available  $R_s$  and  $R_{sh}$  values are as follows. In this case,  $R_L$  is a pure resistance load.

### Series resistance $R_s$ :

$$-R_L/2 \leq R_s \leq R_L$$

$$R_s < 25 \Omega \text{ for 3 A range}$$

$$R_s < 100 \Omega \text{ for 1 A and 1.5 A ranges}$$

$$R_s < 1 \text{ k}\Omega \text{ for 100 mA range}$$

$$R_s < 10 \text{ k}\Omega \text{ for 10 mA range and below}$$

### Shunt resistance $R_{sh}$ :

$$R_L \leq R_{sh} \leq 2 \text{ G}\Omega$$

$$10 \text{ M}\Omega \leq R_{sh} \text{ for 10 nA and 100 nA ranges}$$

$$1 \text{ M}\Omega \leq R_{sh} \text{ for 1 } \mu\text{A range and above}$$

## To expand the available $R_s/R_{sh}$ values

Available  $R_s/R_{sh}$  values are limited by instability and noise of the measurement system. But, in many cases, the B2961A/B2962A can work beyond the available values described above although you may encounter the instability. Then, increase the time constant of the output filter. Generally, 100  $\mu\text{s}$  or longer is recommended.

## Considering the Rs/Rsh setting errors

When the channel works as a voltage source, the series resistance  $R_s$  seen from the load is as follows.

$$R_s = -\frac{\Delta V_s}{\Delta I_m}$$

Where,  $\Delta V_s$  is the change in output voltage and  $\Delta I_m$  is the change in measurement current.

When gain and offset error for  $V_s$  and  $I_m$  are considered,  $R_s$  is as follows.

$$R_s \text{ with error} = \frac{V_s(1 \pm E_{gain\_Vs}) \pm E_{offset\_Vs}}{I_m(1 \pm E_{gain\_Im}) \pm E_{offset\_Im}}$$

Where,  $E_{gain\_xx}$  and  $E_{offset\_xx}$  are gain error and offset error of voltage source or current measure.

As the measurement accuracy is 4 digits and the source accuracy is 6 digits, total error is dominated by the measurement accuracy. So the error of  $R_s$  is as follows.

$$Error = \frac{V_s}{I_m} \left( |E_{gain\_Im}| + \left| \frac{E_{offset\_Im}}{I_m} \right| \right) + \left| \frac{E_{offset\_Vs}}{I_m} \right|$$

Similarly, when the channel works as a current source, the shunt resistance  $R_{sh}$  seen from the load is as follows.

$$R_{sh} = -\frac{\Delta V_m}{\Delta I_s}$$

Where,  $\Delta I_s$  is the change in output current and  $\Delta V_m$  is the change in measurement voltage.

When gain and offset error are considered,  $R_{sh}$  is as follows.

$$R_{sh} \text{ with error} = \frac{V_m(1 \pm E_{gain\_Vm}) \pm E_{offset\_Vm}}{I_s(1 \pm E_{gain\_Is}) \pm E_{offset\_Is}}$$

And the error of  $R_{sh}$  is as follows.

$$Error = \frac{V_m}{I_s} \left( |E_{gain\_Vm}| + \left| \frac{E_{offset\_Is}}{I_s} \right| \right) + \left| \frac{E_{offset\_Vm}}{I_s} \right|$$

Following example calculates the error of  $R_s$  when  $V_s = 5$  V at 20 V range and  $I_m = 5$  mA at 10 mA range. According to the specifications of the B2961A/B2962A, the gain and offset errors for these ranges are  $E_{gain\_Im} = 0.02$  %,  $E_{offset\_Im} = 2.5$   $\mu$ A, and  $E_{offset\_Vs} = 5$  mV. So the error of  $R_s$  is calculated as follows.

$$\text{Gain error} = 0.02 \% + 2.5 \mu\text{A} / 5 \text{ mA} = 0.02 \% + 0.05 \% = 0.07 \%$$

$$\text{Offset error} = \left| \frac{E_{offset\_Vs}}{I_m} \right| = 5 \text{ mV} / 5 \text{ mA} = 1 \Omega$$

$$Error \text{ of } R_s = 0.0007 \times \frac{V_s}{I_m} + 1 \Omega$$

### 3. Application

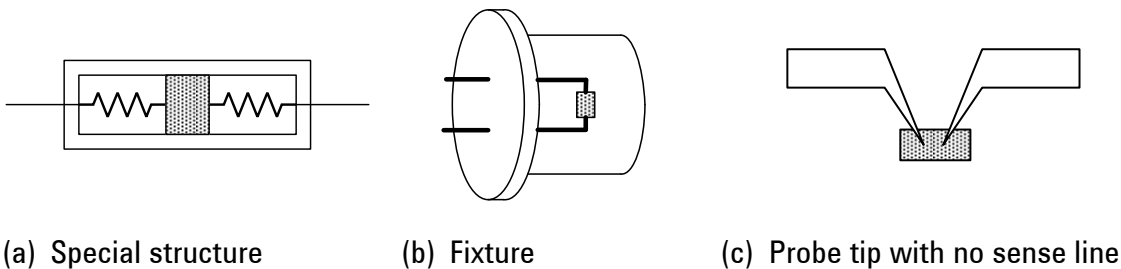
Agilent B2961A/B2962A Power Source can be a voltage source or a current source which enables wide range voltage/current output and advanced test and evaluation. And its programmable output resistance function is effective for several applications such as error compensation, source emulation, resistance emulation, and so on. This section introduces the following examples for using this function.

- To compensate voltage drop caused by residual resistance
- To emulate a battery with internal resistance

#### To compensate voltage drop caused by residual resistance

##### Introduction

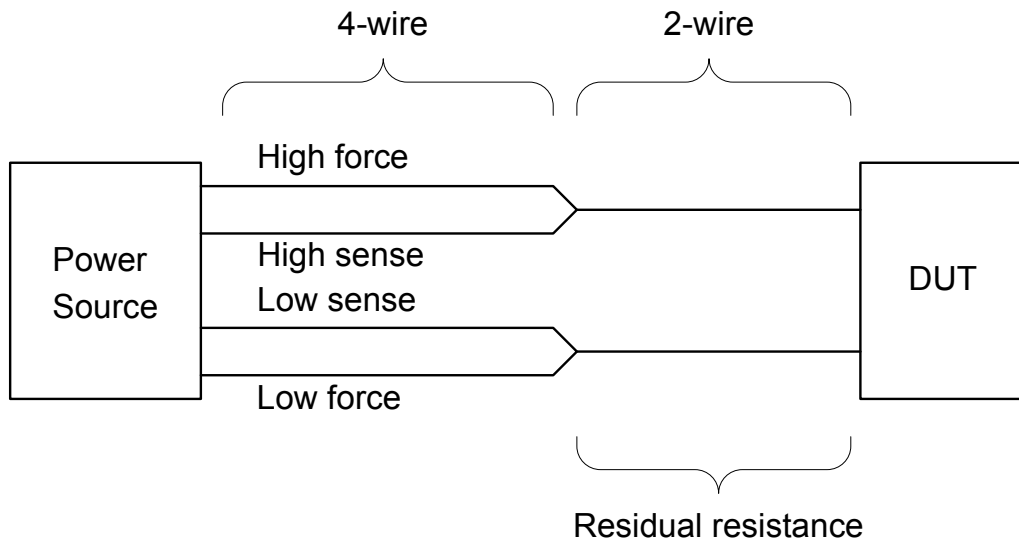
The B2961A/B2962A supports 4-wire configuration which enables the Kelvin connection effective for minimizing error caused by the connection wire and for applying voltage accurately at the end of the load. However there are some cases you cannot use this feature, as shown in Figure 6 for example.



**Figure 6 Structures do not allow 4-wire connection**

- (a) Load with the structure which does not allow the 4-wire connection
- (b) Fixture which does not support the 4-wire connection
- (c) Special probe tips which do not support the 4-wire connection

In such cases, you have to make the 2-wire configuration as shown in Figure 7. However, the 2-wire method cannot eliminate the effect of residual resistance across the connection wire. As a result, you cannot apply expected voltage or cannot tell how much voltage is applied to the load. The constant mode of the programmable output resistance function is effective and can solve the issue by using the 2-wire method.



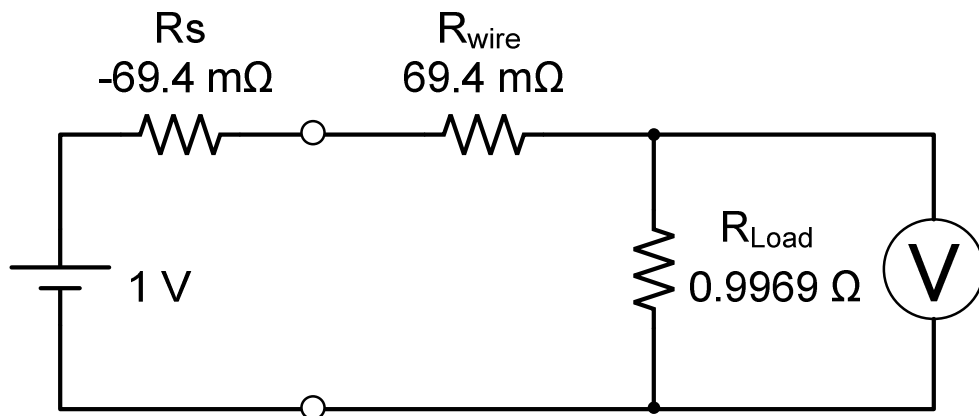
**Figure 7 4-wire connection and 2-wire connection**

**Solution**

Simplified block diagram to solve the problem is shown in Figure 8.  $R_{Load}$  is the load resistance and  $R_{wire}$  is the residual resistance of the connection wire. And the left block consists of voltage source and series resistance  $R_s$  indicates the B2961A/B2962A channel. Then the negative value must be set to the  $R_s$  to eliminate the  $R_{wire}$ .

Example condition:

$R_{Load}$	0.9969 $\Omega$
$R_{wire}$ (residual resistance of wire)	69.4 m $\Omega$
$V_{out}$	1.0 V



**Figure 8 Simplified block diagram**

## Result

Measurement results are shown below. They are the results using the 2-wire connection (a), the 4-wire connection (b), and the 2-wire connection with the negative  $R_s$  (c).

(a) Result using the 2-wire connection

$V_{out} = 1000.0 \text{ mV}$ ,  $I_{measure} = 0.9376 \text{ A}$ ,  $V_{measure} \text{ at } R_{Load} = 935.1 \text{ mV} (-6.5 \%)$

(b) Result using the 4-wire connection

$V_{out} = 1000.0 \text{ mV}$ ,  $I_{measure} = 1.0031 \text{ A}$ ,  $V_{measure} \text{ at } R_{Load} = 1000.35 \text{ mV} (+0.04 \%)$

(c) Result using the 2-wire connection with the negative  $R_s$  ( $R_s = -69.4 \text{ m}\Omega$ )

$V_{out} = 1069.6 \text{ mV}$ ,  $I_{measure} = 1.0034 \text{ A}$ ,  $V_{measure} \text{ at } R_{Load} = 1000.5 \text{ mV} (+0.05 \%)$

Thus, the negative  $R_s$  can effectively cancel the residual resistance of the connection wire. Figure 9 shows the voltage characteristics at  $R_{Load}$ . X-axis is the expected output voltage. The upper line is the characteristics by using the 2-wire connection with the negative  $R_s$ . The lower line is the characteristics without the negative  $R_s$ . It is clearly seen that the voltage drop caused by the residual resistance is canceled by the hypothetical negative resistance.

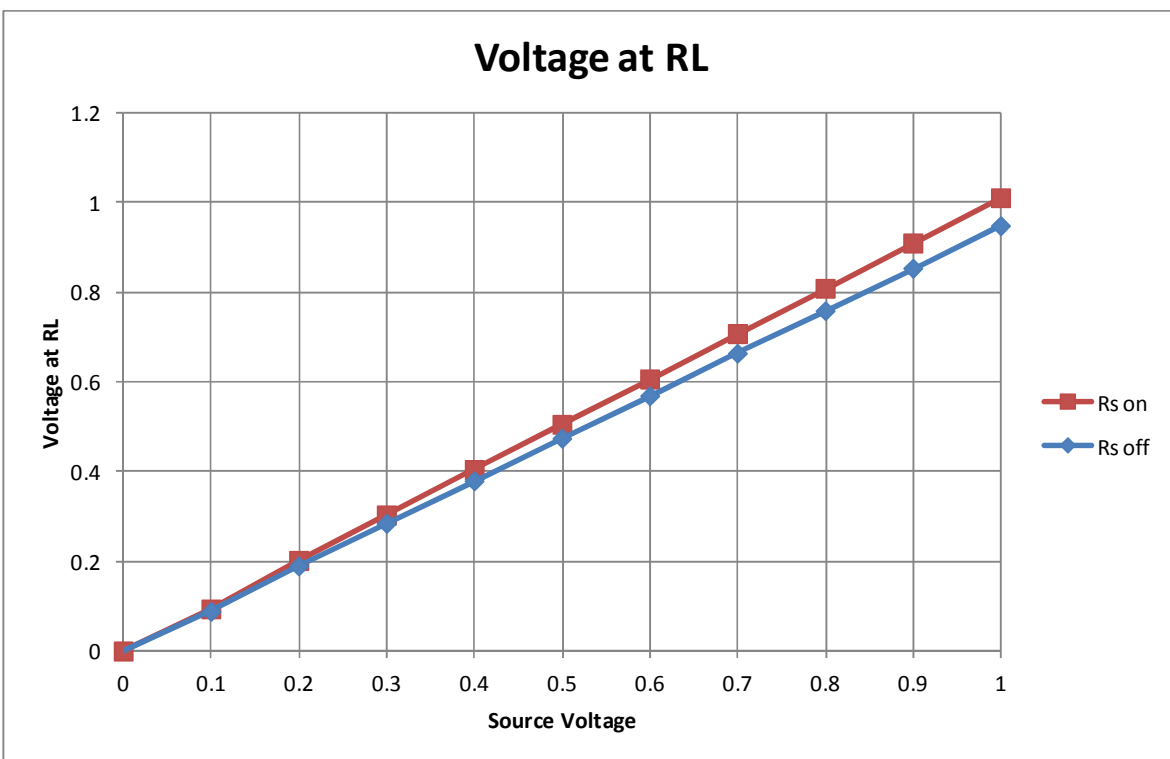


Figure 9 Setting voltage vs measured voltage at  $R_{Load}$

Note that this solution is effective when the residual resistance is fixed and the voltage drop is linear for the current. Also see "Negative  $R_s$ " section in this document.

## To emulate a battery with internal resistance

### Introduction

Every battery has some internal resistance. For example, typical alkaline cylindrical batteries have internal resistance between  $0.1 \Omega$  and  $0.3 \Omega$ . This resistance causes not only voltage drop but also power loss. And generally, output characteristics of batteries are affected by the operating conditions such as temperature, number of charge/discharge cycles, and so on.

In case of designing a device, a module, or a circuit which internally uses a battery, it is wanted to evaluate the operation of it in various operating conditions. This means that the evaluation needs the real batteries under the various conditions. However it is difficult and is inefficient to prepare these batteries. So it is important to know or simulate the DC I-V characteristics of batteries in the several conditions, brand new or after 1000 times recharged, high or low ambient temperatures, and so on.

To solve this problem, the programmable output resistance function is effective. The B2961A/B2962A can emulate the output of several batteries by knowing their internal resistance which you can obtain from a battery data sheet.

Also the B2961A/B2962A can handle low current and high output resistance. This is suitable for emulating a battery used for energy harvesting application in which the device consumes very small power. The battery used there also supplies small power and its internal impedance is higher than normal battery (few hundred  $\Omega$  or more).

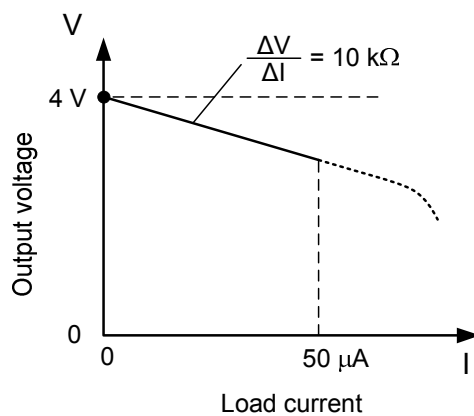


Figure 10 Linear I-V characteristics of  $V_{open}=4 \text{ V}$

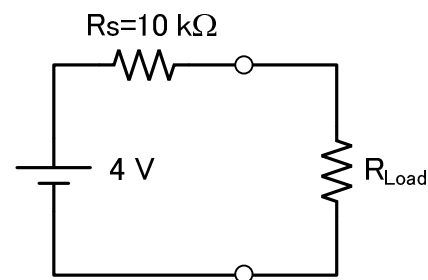


Figure 11 Equivalent circuit to realize characteristics shown in Figure 10

## Emulation example

The following example is for the I-V characteristics emulation of a battery for energy harvesting. The settings of the B2961A/B2962A are shown below. The output filter is set to 100  $\mu\text{s}$  to avoid oscillation caused by the high resistance loop gain. The output filter effectively reduces the loop gain.

B2961A/B2962A output settings:

Vout	4 V
Iout	0 $\mu\text{A}$ to 50 $\mu\text{A}$
Output R (Rs)	10 k $\Omega$ (internal resistance of battery)
Output filter	100 $\mu\text{s}$

Figure 12 shows the I-V characteristics of the B2961A/B2962A channel output. This is the emulation result of the battery which has the 10 k $\Omega$  internal resistance. Output voltage at open condition (0 A) is 4 V and the voltage linearly decreases with the increase of the load current by the rate of 10 kV/A (10 k $\Omega$ ).

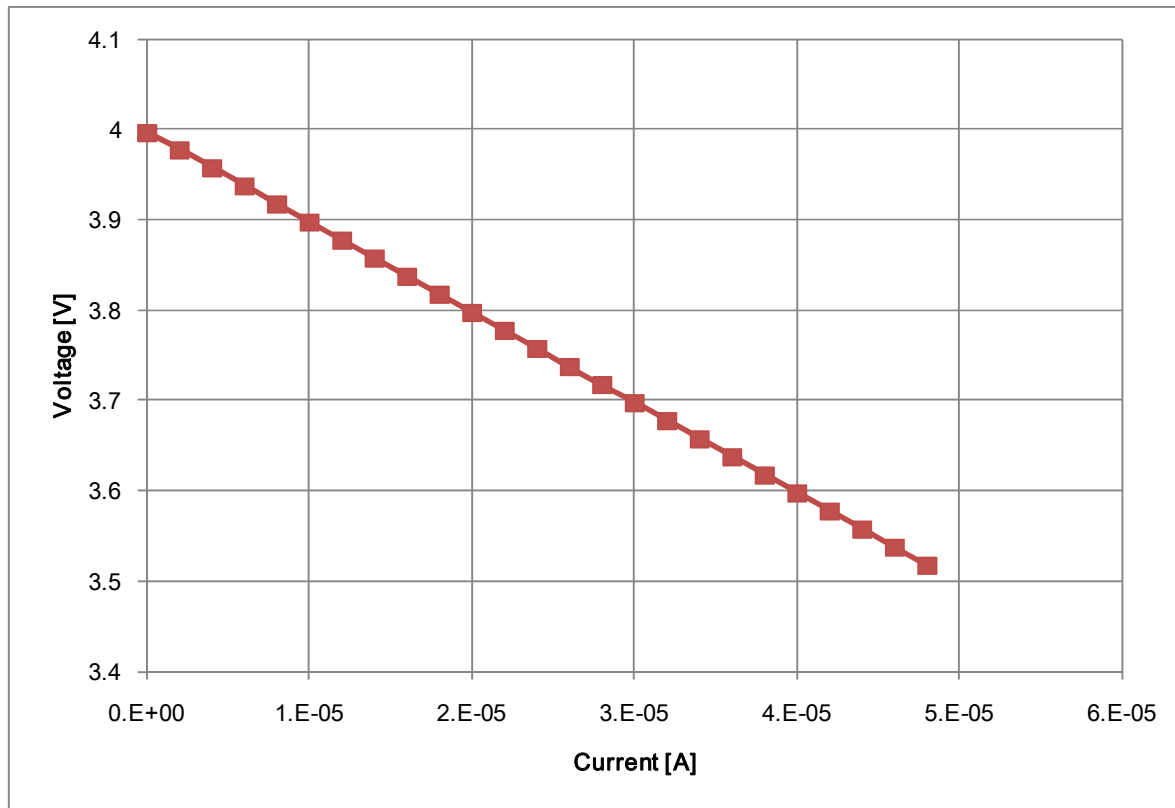


Figure 12 B2961A/B2962A channel output, emulation result of a battery